



AGArangeusa.com

# 36" MERCURY INDUCTION RANGE

MODEL: AMC36IN



The AGA Mercury range is known for its bold design, contemporary details, zero-clearance facade and mod style cooking controls. It is truly a statement piece in any luxury kitchen.

Designed and built in the UK, this range is a technical masterpiece, the embodiment of exquisite quality and stylish, thoughtful design. Available in 16 sophisticated finish options, The AGA Mercury range is the perfect match for any mood or lifestyle.

## SPECIFICATIONS

- Electrical: Induction Zone: 11.1 kW (48A)
- Oven: 3.7kW (17A), 240V
- Electrical Rating: 240V (L1, L2 + N + Grd), 60Hz, 15.1 kW
- Cooktop Ratings:
  - Front Left: 1.4 kW (Max) 2.2 kW (Boost)
  - Rear Left: 1.85 kW (Max) 3.0 kW (Boost)
  - Center: 2.3 kW (Max) 3.7 kW (Boost)
  - Front Right: 1.85 kW (Max) 3.0 kW (Boost)
  - Rear Right: 1.85 kW (Max) 3.0 kW (Boost)
- Product Dimensions: 35 1/2" W x 28" D x 36 7/8" H
- Shipping weight (lbs): 401 lbs (includes range, crate & pallet)

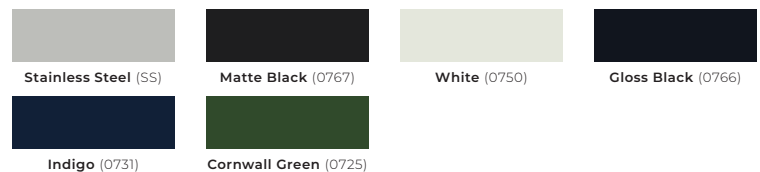
## WARRANTY

- 2 Year Warranty on parts and labor with exception of cosmetic parts & lightbulbs

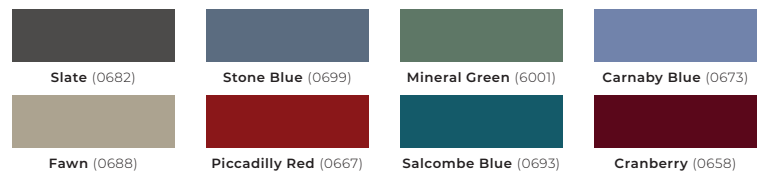
## FINISHES

**NOTE:** Colors not in stock could have a 4-12 week lead time (check for availability). Ranges manufactured using Soho colors are only available with stainless steel fascia.

### CLASSIC COLOR COLLECTION

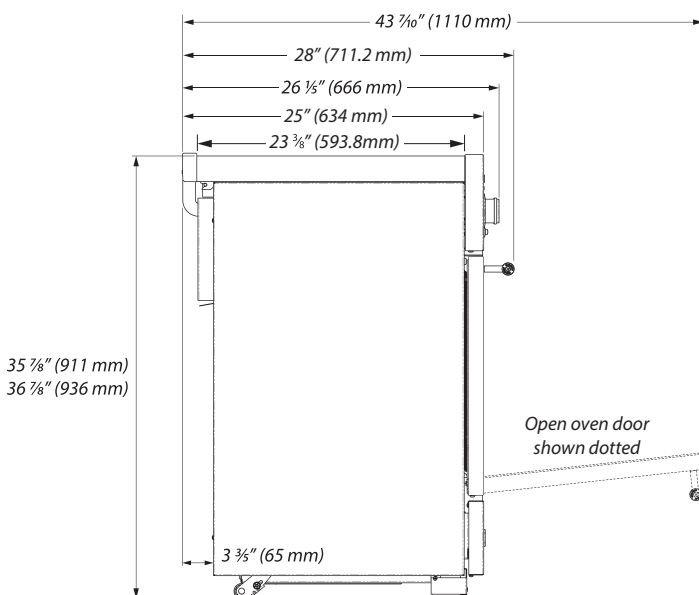
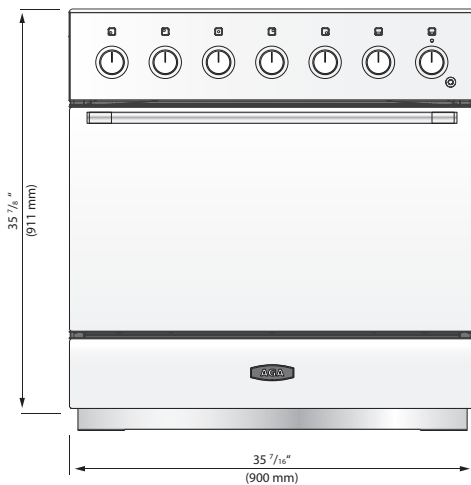


### SOHO COLOR COLLECTION



## OPTIONAL KNOB FINISH

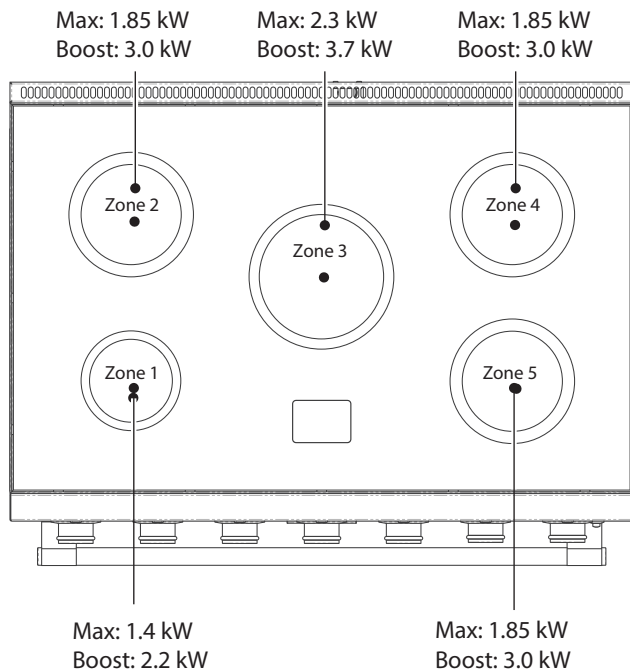
**NOTE:** The AGA Mercury ships standard with Stainless Steel Knobs, but also has a Black finish option available as an after-market purchase.



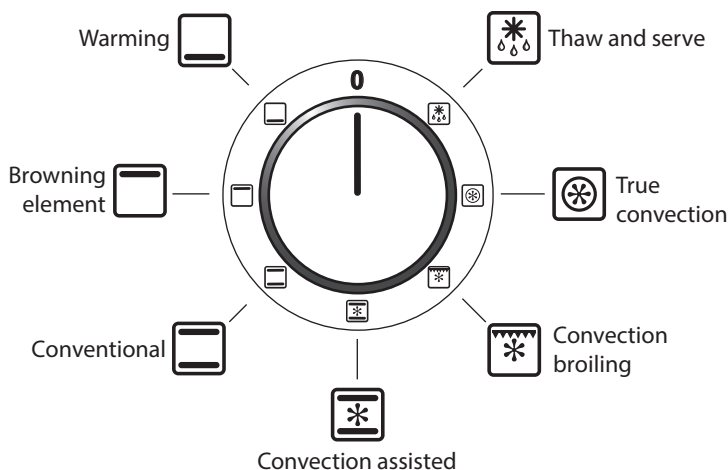


# 36" MERCURY INDUCTION RANGE

5 BURNER INDUCTION COOKTOP



7 MULTIFUNCTION COOKING MODES



## FEATURES

- Professional 5 burner induction cooktop
  - 13 temperature settings*
  - One 9" 2300W burner with 3700W power boost*
  - Three 7" 1850W burners with 3000W power boost*
  - One 6" 1400W burner with 2200W power*
- Cooktop constructed of durable ceramic glass that easily wipes clean
- 7-Mode Multifunction Oven with European Dual-Convection Cooking, Fan-Assisted Baking, Browning, Thaw-to-Serve, Convection Broiling, Warming and Conventional Cooking
- Large 4.5 cubic feet capacity — fits a 25lb turkey!
- Two heavy-duty telescoping glide-out oven racks
- One flat rack
- Dual-pan broiler system
- True European convection with dual-fan
- Convenient storage drawer large enough to hold oven racks
- Integrated pan recognition sensors automatically shut off cooking zone when no pan is detected
- Child safety feature locks cooktop operation from unwanted use
- Heavy duty die-cast commercial grade metal control knobs